

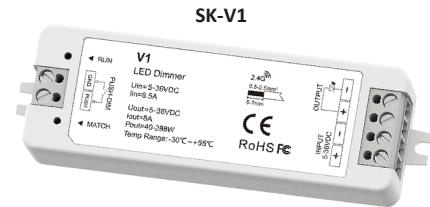
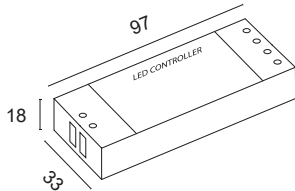
# SK-V1 control unit

Professional multifunctional control unit with PUSH or radio remote control for monochrome strips. Active memory function. A remote control or button can be combined with several control units to expand the system

Power supply voltage:  $V_{in} = V_{out} - 5...36Vdc$

Output current: 1x8A - 5...36Vdc

Power rating: 40W@5Vdc - 96W@12Vdc - 192W@24Vdc - 288W@36Vdc



## SK-R11

### Radio remote control for monochrome LEDs

Radio remote control with magnetic or screw base for switching on, adjusting and switching off.



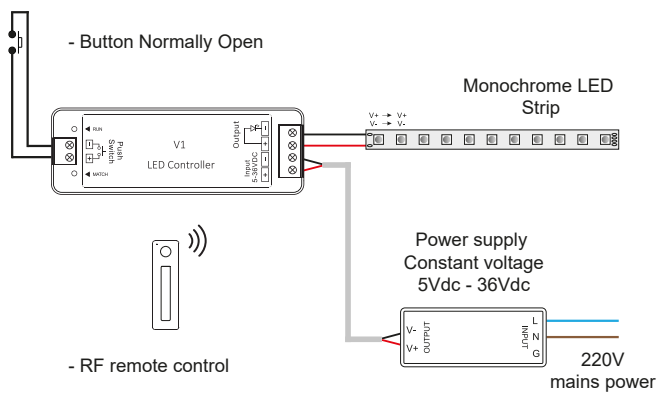
## SK-R1-1W

### Radio remote control for dynamic white LED

Round white Touch radio remote control with magnetic base or screw base for switching on, adjusting and switching off.



## EXAMPLE OF MONOCHROME LED STRIP CONTROL WITH A CONTROL UNIT



## EXAMPLE OF MONOCHROME LED STRIP CONTROL WITH TWO CONTROL UNITS

