

MINI-1CV control unit

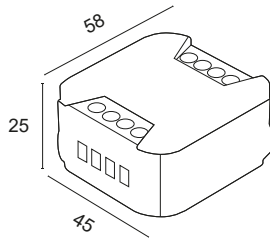
One-channel control unit with ON/OFF and DIMMER function in 12Vdc or 24Vdc constant voltage for monochrome LEDs. Control via a normally open button, 0-10V / 1-10V signal or potentiometer. The system can be expanded with the use of additional control units. Can be installed in unshielded indoor environments.

Active memory function. Using the LightApp mobile application, it is possible to configure the dimming frequency, dimming curve, brightness level and dynamic scenarios or animations.

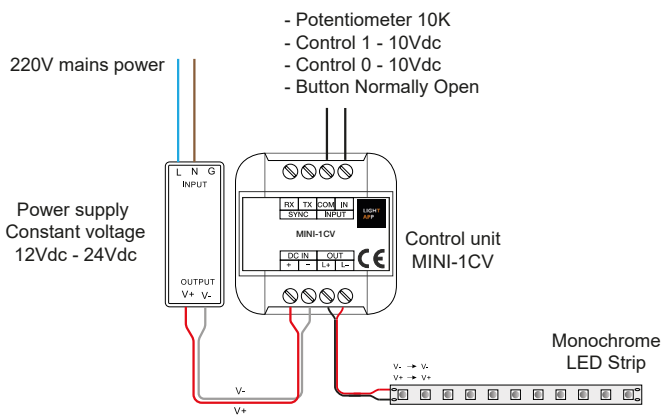
Power supply voltage: $V_{in} = V_{out} - 12/24Vdc$

Output current: 12A - 12/24Vdc

Power rating: 144W@12Vdc - 288W@24Vdc



EXAMPLE OF MONOCHROME LED STRIPS CONTROL



EXAMPLE OF MONOCHROME LED STRIP CONTROL WITH AMPLIFIER

