

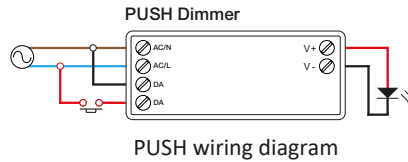
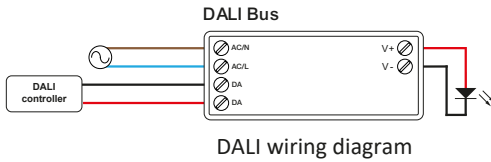
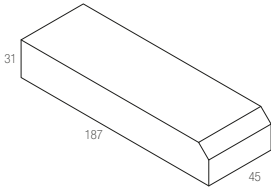
CONSTANT VOLTAGE 24Vdc DALI2 AND PUSH

CODE	DESCRIPTION	CONSTANT VOLTAGE
------	-------------	------------------

AL24045.D2

DIMMABLE power supply
DALI2 and PUSH
Protected pressure terminals, IP20
Vin 220-240Vac
Sizes mm 187x45x31H

24Vdc - 45W

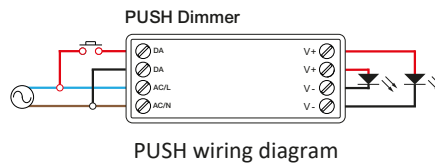
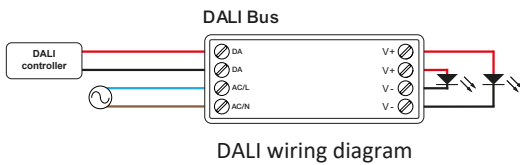
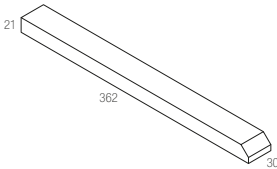


CODE	DESCRIPTION	CONSTANT VOLTAGE
------	-------------	------------------

AL24060.SD2

DIMMABLE power supply
DALI2 and PUSH
Protected pressure terminals, IP20
Vin 220-240Vac
Sizes mm 362x30x21H

24Vdc - 60W

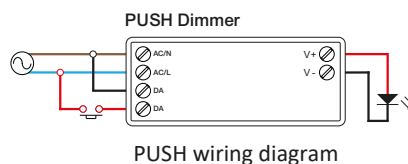
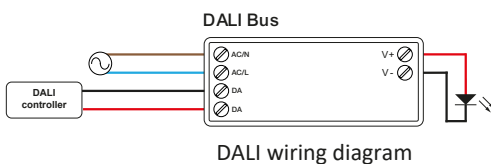
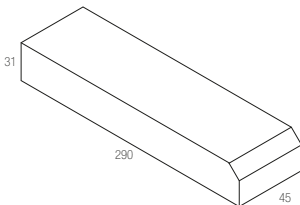


CODE	DESCRIPTION	CONSTANT VOLTAGE
------	-------------	------------------

AL24080.D2

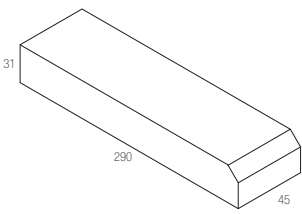
DIMMABLE power supply
DALI2 and PUSH
Protected pressure terminals, IP20
Vin 220-240Vac
Sizes mm 290x45x31H

24Vdc - 80W



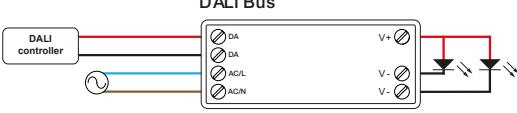
CONSTANT VOLTAGE 24Vdc DALI2 AND PUSH

CODE	DESCRIPTION	CONSTANT VOLTAGE
AL24150.D2	DIMMABLE power supply DALI2 and PUSH Protected pressure terminals, IP20 Vin 220-240Vac Sizes mm 290x45x31H	24Vdc - 150W



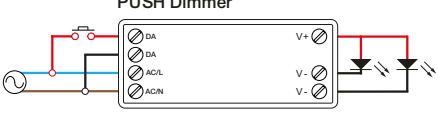
31
290
45

DALI Bus



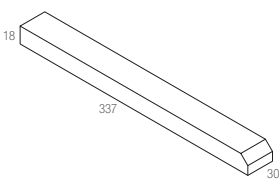
DALI wiring diagram

PUSH Dimmer



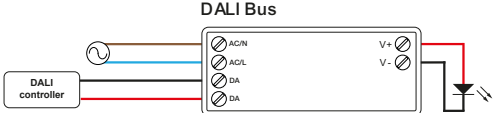
PUSH wiring diagram

CODE	DESCRIPTION	CONSTANT VOLTAGE
AL24150.SD2	DIMMABLE power supply DALI2 and PUSH Protected pressure terminals, IP20 Vin 220-240Vac Sizes mm 337x30x18H	24Vdc - 150W



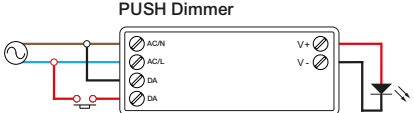
18
337
30

DALI Bus



DALI wiring diagram

PUSH Dimmer



PUSH wiring diagram